

Air Shoot



Cyclonaire's Air Shoot is an incredibly simple, yet effective low pressure, air activated gravity conveyor for transferring fluidizable materials.

Material is moved in a near horizontal plane with minimal changes in elevation for layouts with low headroom or small vertical height differential between source and destination points.

The Air Shoot is available in open and closed (dust free) models and can be manufactured to your specifications.

With no moving parts, installation and operation is quick, simple and economical.

Capacity - Up to 500 TPH

Simple Requirements - 0.5 to 5 psig at 5 to 20 cfm/ft², 4° or greater vertical slope between source and destination point

Standard

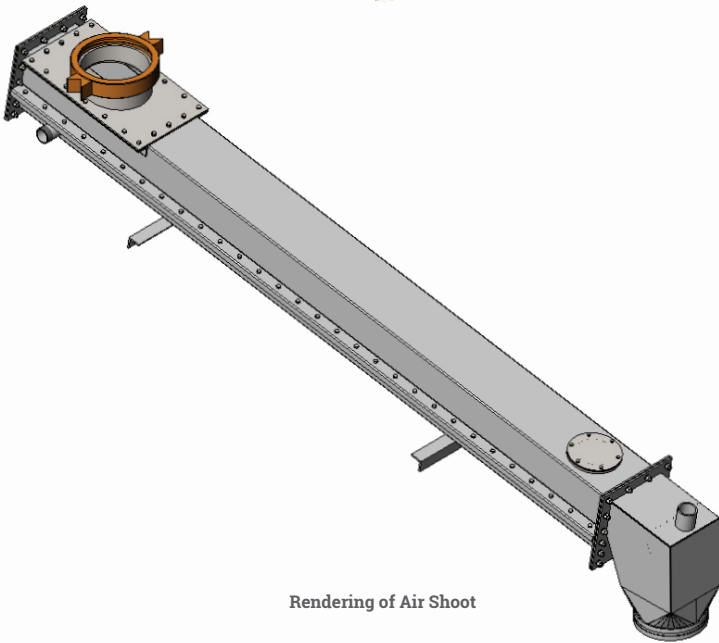
Available in 6", 8", 10", 12" and 14" widths; carbon steel; flanged process connections; 2" npt air supply connection; inspection hatch, Cyclonaire Blue paint

Standard Options

304 stainless steel; grooved pipe process connections; inlet valve with pneumatic or electric actuator

Custom Options

Full flow/dribble flow outlet with pneumatic actuators; NEMA 4X; 7/9 solenoids and limit switches; access hatch



Rendering of Air Shoot

Contact sales@cyclonaire.com.

cyclonaire
pneumatic conveying solutions

(800) 445-0730 | cyclonaire.com