

Dense Phase Vacuum Loaded Conveyors

Nothing delivers greater flexibility than Cyclonaire's dense phase vacuum-loaded conveyors (DPV). These precisely-engineered pneumatic conveyors allow you to unload bulk bags, trucks and/or railcars with minimal product degradation.

It Takes Superior Equipment to Get Superior Results

A Tough Industry Demands Tough Equipment — Gravity-loaded, bottom discharge transfer with 400+ TPH capacity makes light work of heavy loads.

Maintain Product Integrity — High material-to-air ratio and low line velocities help maintain material integrity.

Unique Design and Functionality — Our patented DPV systems vacuum load products from silos, trucks and railcars and feature top or bottom discharge.

Standard

Carbon Steel Construction; 24 VDC Instrumentation; High and Low Level Probe; Protective Dual Butterfly Inlet; Dual Setpoint Pressure Switch on Tank; Supply and Tank Pressure Gauge; Injector Air Supply Valve; Silicone VibraPads; Cyclonaire Blue Paint

Standard Options

304 Stainless Steel Material Contact; Cyclonaire White Paint; Vent to the Source; Venturi Silencer; Pressure Transmitters; Numerous Inlet Valve Options; Source Aeration; Neoprene VibraPads

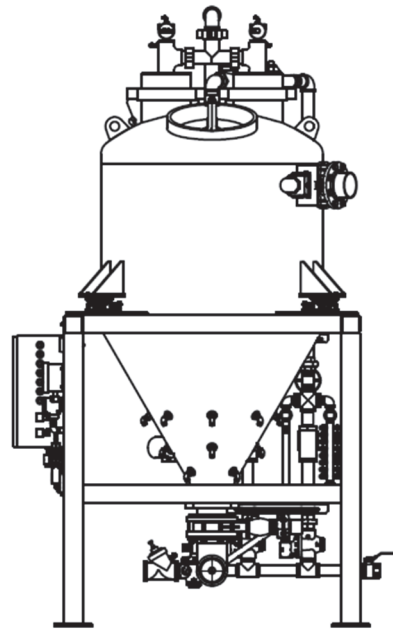
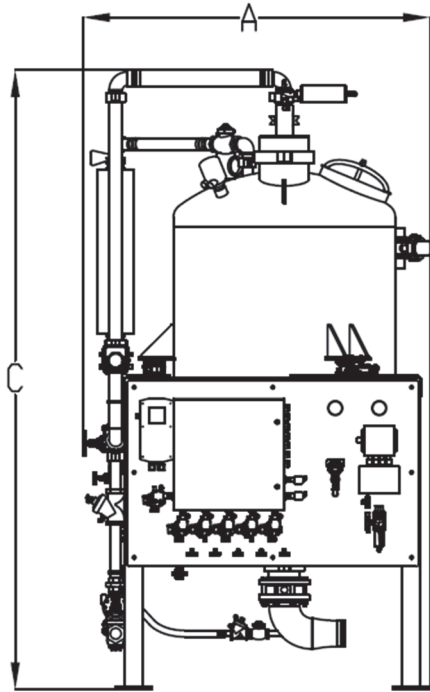
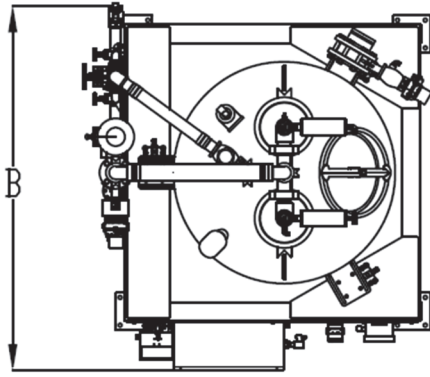
Custom Options

High Temp Paint and Devices; Custom Colors/Coatings Available; 316/316L Stainless Steel Material Contact

Requirements:

- 90 PSIG Air (usage ranges by size)
- Power source

Technical Data



	Tank Volume	Tank Diameter	A	B	C	Approx. Weight Empty	Support Style
Model	[ft ³]	[in]	[in]	[in]	[in]	[lbs]	
DPV-5B	5	24	56	56	84	1600	Frame
DPV-10B	10	30	56	56	84	2200	Frame
DPV-15B	15	36	78	91	92	2500	Frame
DPG-25B	25	36	94	84	125	2800	Frame
DPV-50B	50	48	94	75	134	3350	Frame
DPV-75B	75	60	103	92	140	4000	Frame
DPV-100B	100	60	103	92	152	4200	Frame
DPV-150B	150	72		Contact Factory			Frame
DPV-200B	200	72		Contact Factory			Frame

Dimensions and weights are subject to change without notice
 Tanks are built to ASME VIII Pressure Vessel codes
 Weight estimates are of EMPTY conveyor

Contact sales@cyclonaire.com

cyclonaire
pneumatic conveying solutions

(800) 445-0730 | cyclonaire.com